

APPROXIMATE WEIGHTS

FRAME - 220 LBS.

COVER - 105 LBS.

MACHINE FINISH

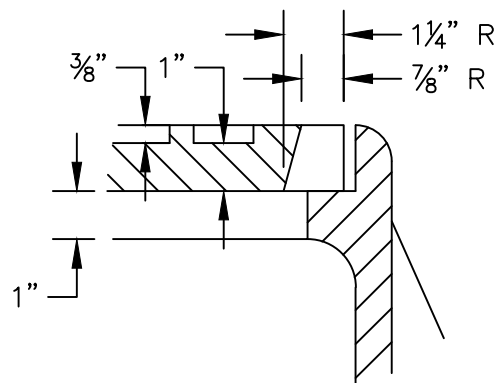
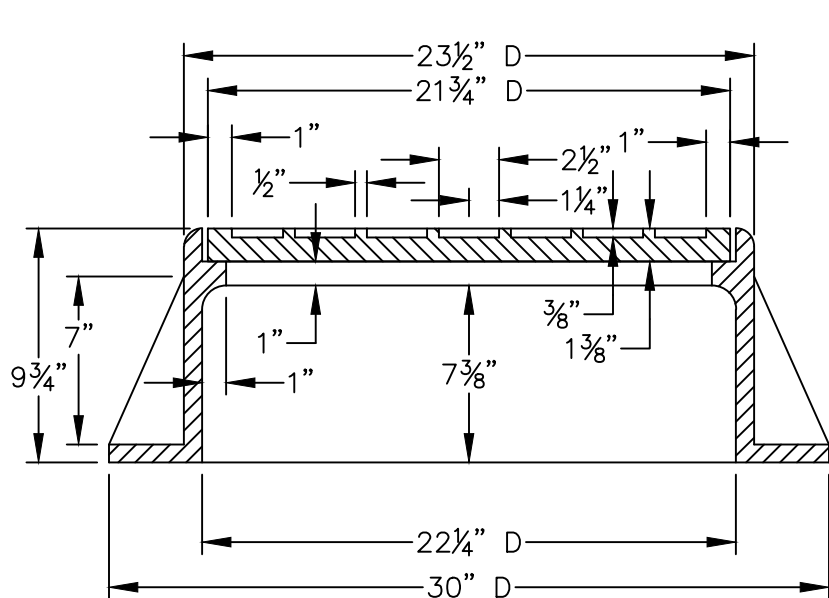
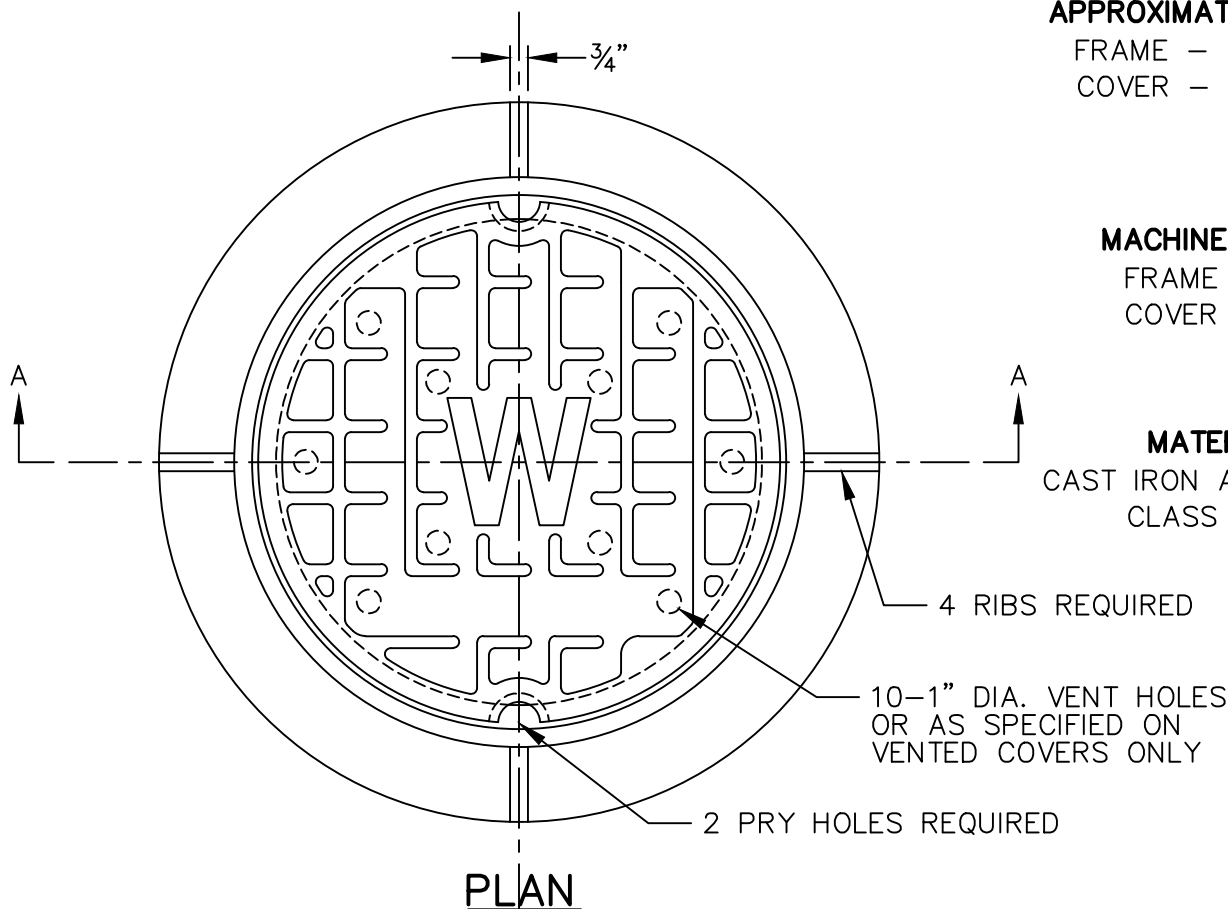
FRAME SEAT

COVER SEAT

MATERIAL

CAST IRON ASTM A-48

CLASS 30 B



PRY HOLE DETAIL

SECTION A-A

**PHILADELPHIA
WATER
— DEPARTMENT —**

**FRAME AND COVER -
21 3/4" DIAMETER**

DRAWN BY:	D&B GUARINO	DATE:	FEB. 2022
CHECKED BY:	WD	DETAIL ID:	VALVE-07
		REV.:	0