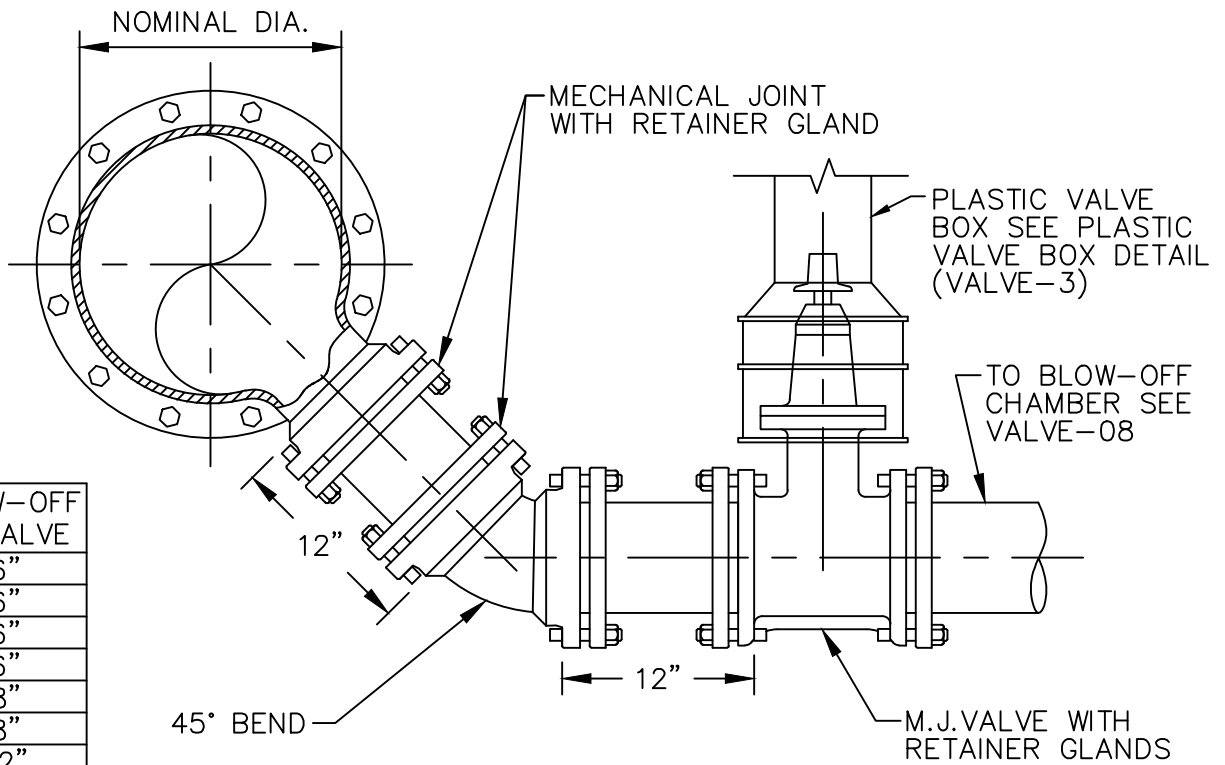


**PLAN**



**SECTION A-A**

PIPE SIZE	BLOW-OFF & VALVE
12"	6"
16"	6"
20"	6"
24"	6"
30"	8"
36"	8"
42"	12"
48"	12"

**PHILADELPHIA WATER DEPARTMENT**

**BLOW-OFF BRANCH WITH OUTLET VALVE**

DRAWN BY:	D&B GUARINO	DATE:	FEB. 2022
CHECKED BY:	WD	DETAIL ID:	VALVE-05
		REV.:	1