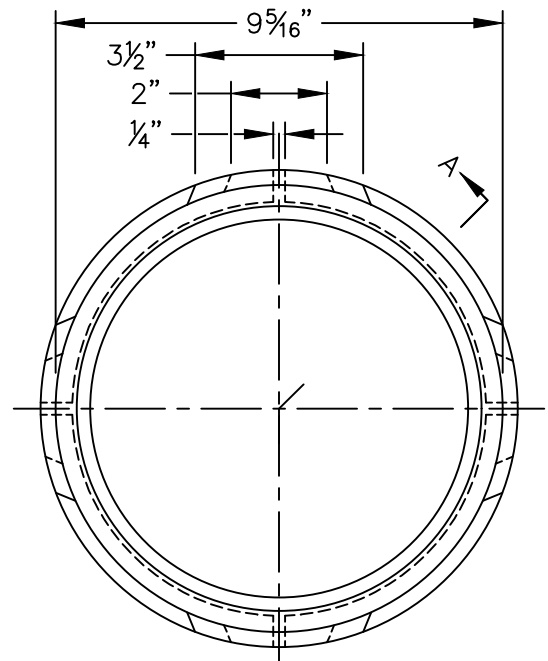
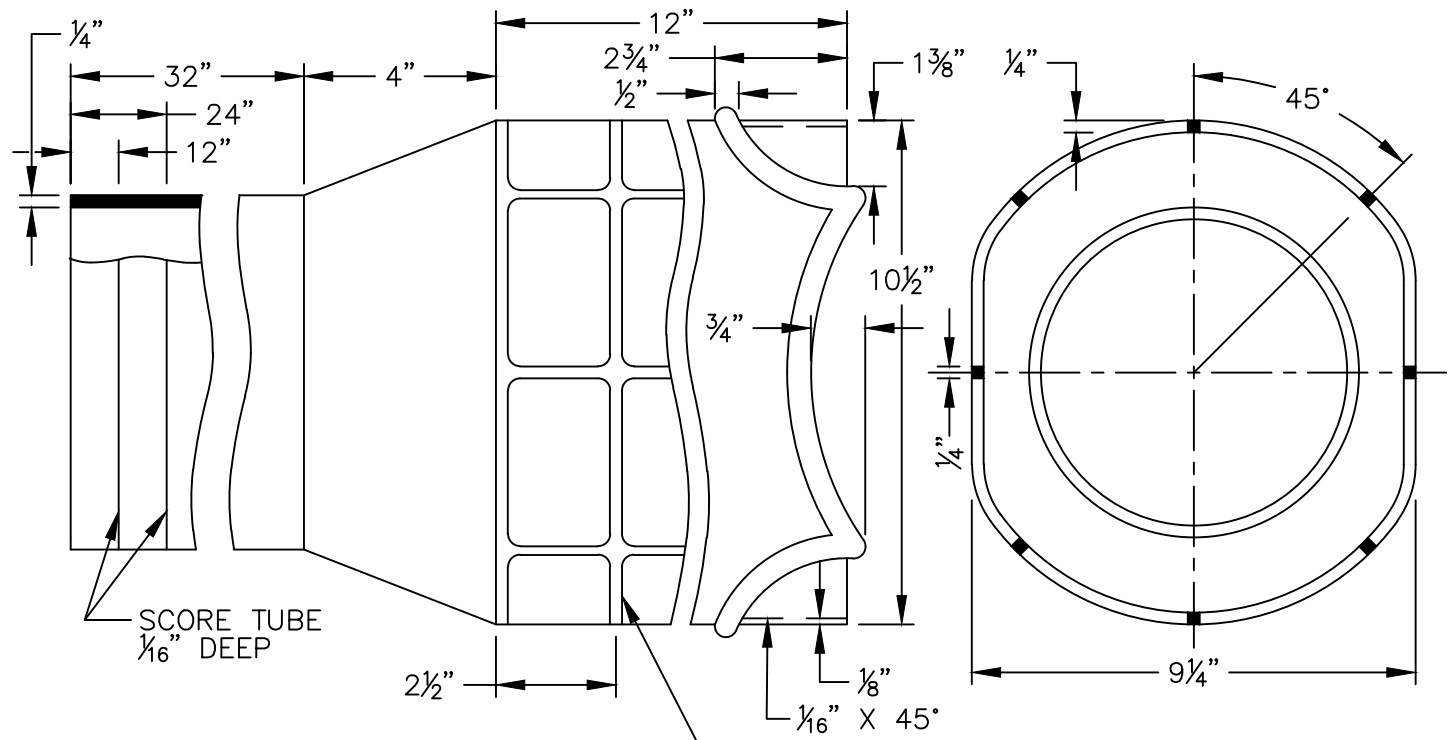


**SECTION A-A**



**PLAN**

**TOP SECTION**



**PLAN**

**SECTION**

**BOTTOM SECTION**

<b>PHILADELPHIA</b> <b>WATER</b> DEPARTMENT	<b>STANDARD 7" VALVE BOX</b> <b>PLASTIC TOP &amp; BOTTOM SECTION</b>		
	DRAWN BY: D&B GUARINO	DATE: FEB. 2022	
CHECKED BY: WD	DETAIL ID: VALVE-13-A	REV.: 0	