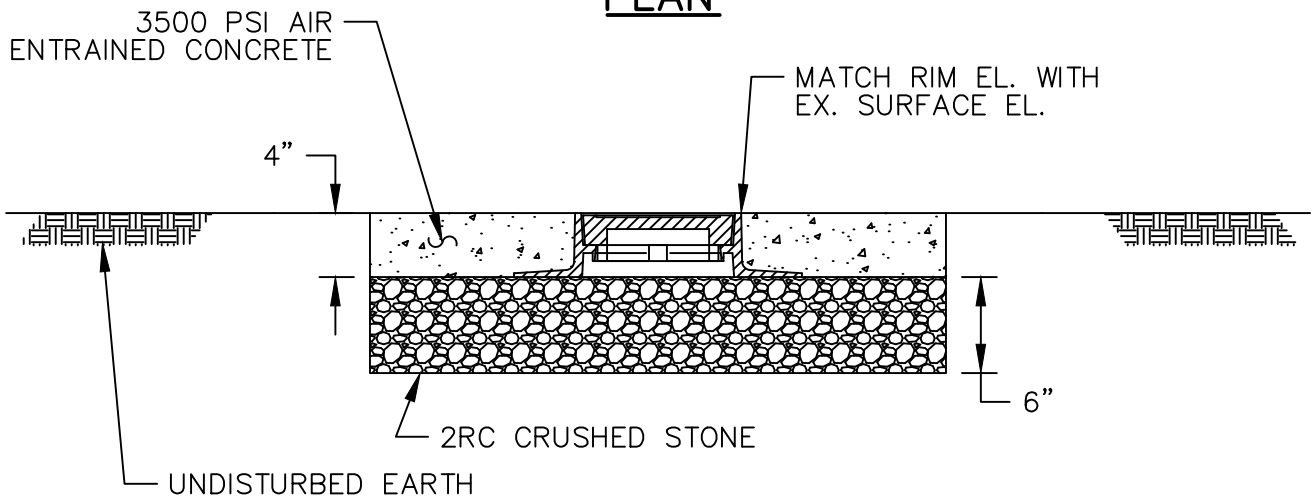


PLAN



SECTION A-A

PHILADELPHIA WATER — DEPARTMENT —	7" VALVE 3'x3' CONCRETE PAD		
	DRAWN BY: D&B GUARINO	DATE: FEB. 2022	
CHECKED BY: WD	DETAIL ID: VALVE-10	REV.: NEW	