

PLAN

APPROXIMATE WEIGHTS

FRAME - 190 LBS.
COVER - 270 LBS.

MACHINE FINISH

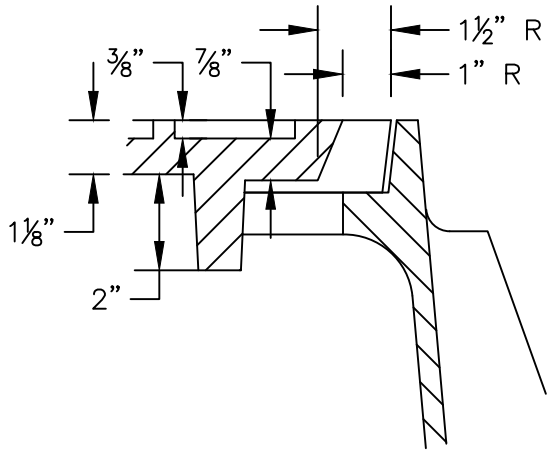
FRAME SEAT
COVER SEAT
COVER SIDEWALL

MATERIAL

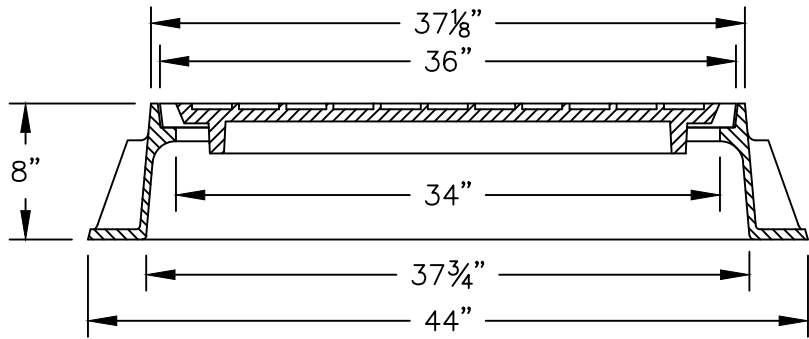
CAST IRON ASTM A-48
CLASS 30 B

2 PRY
HOLES
REQUIRED

6 RIBS
EQUALLY
SPACED



PRY HOLE DETAIL



SECTION



**FRAME AND COVER -
36" DIAMETER**

DRAWN BY:	D&B GUARINO	DATE:	FEB. 2022
CHECKED BY:	WD	DETAIL ID:	VALVE-08
		REV.:	0