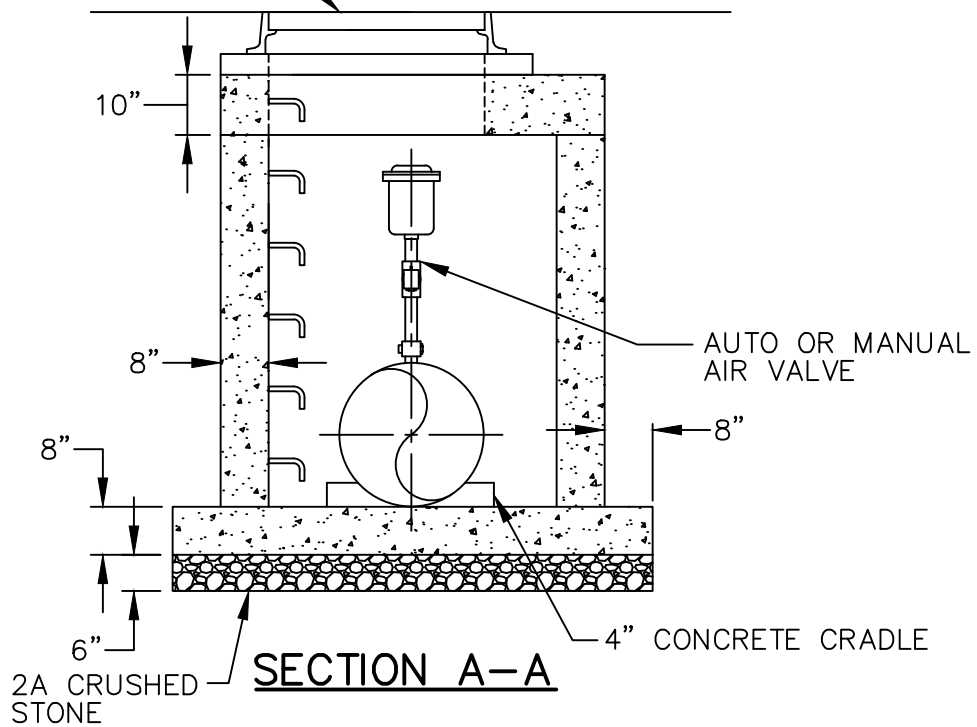


PLAN

MANHOLE FRAME
AND COVER



**PHILADELPHIA
WATER
— DEPARTMENT —**

AIR VALVE CHAMBER

DRAWN BY:	D&B GUARINO	DATE:	FEB. 2022
CHECKED BY:	WD	DETAIL ID:	VALVE-04
		REV.:	1