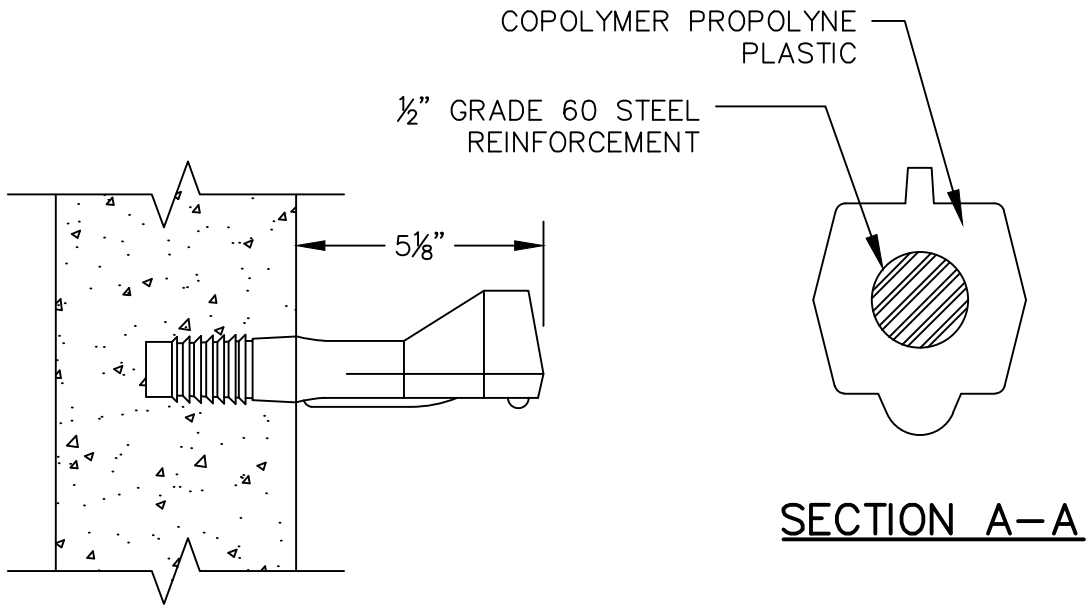
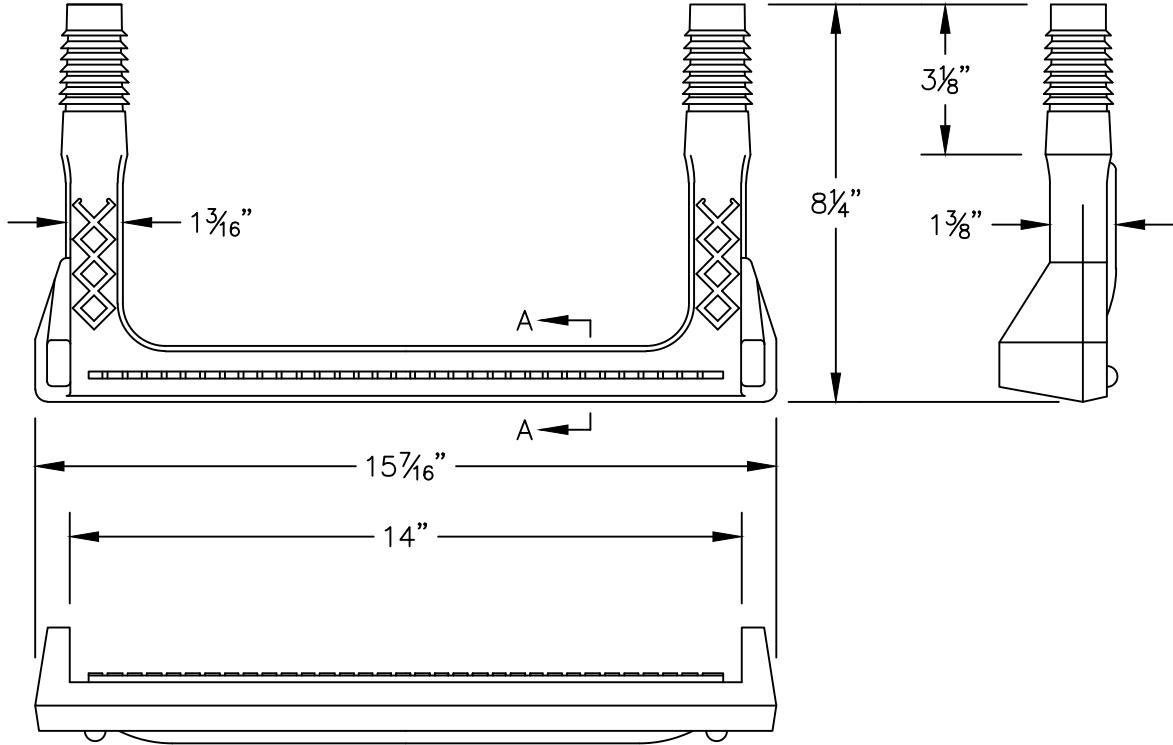


DRILL 2 1¼" HOLES ON 13" CENTERS, 3½" DEEP. USE SLEDGEHAMMER TO INSERT LADDER BAR ENDS INTO HOLES



MANHOLE STEPS

DRAWN BY:	D&B GUARINO	DATE:	FEB. 2022
CHECKED BY:	WD	DETAIL ID:	VALVE-09
		REV.:	1